



RC200/300

Pump Volute / Impeller Materials

- RC (AI) – Cast Iron / Cast Iron
- RC (BF) – Cast Iron / Bronze
- RC (SF) – Cast Iron / 316SS
- RC (AB) – Bronze / Bronze
- RC (SS) – 316SS / 316SS

Features

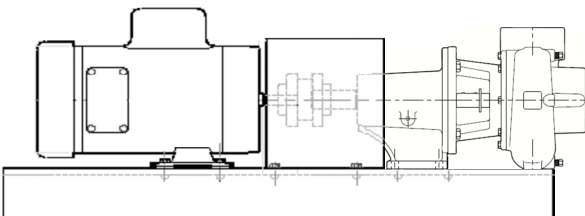
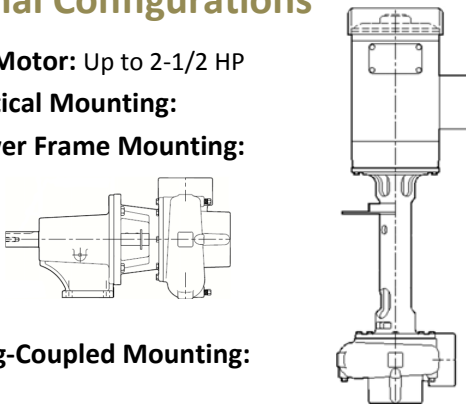
- **Pump Design** – Compact, close coupled
- **Double Seal** – Type 21 available
- **Teflon Seal** – Type 9 available
- **Flush Options** – Recirculating, & Quench available

Applications

- Cooling Tower
- Chemical Transfer
- Circulating Pumps
- Filter Systems
- Circulating Washers
- Machine Tool Coolants

Optional Configurations

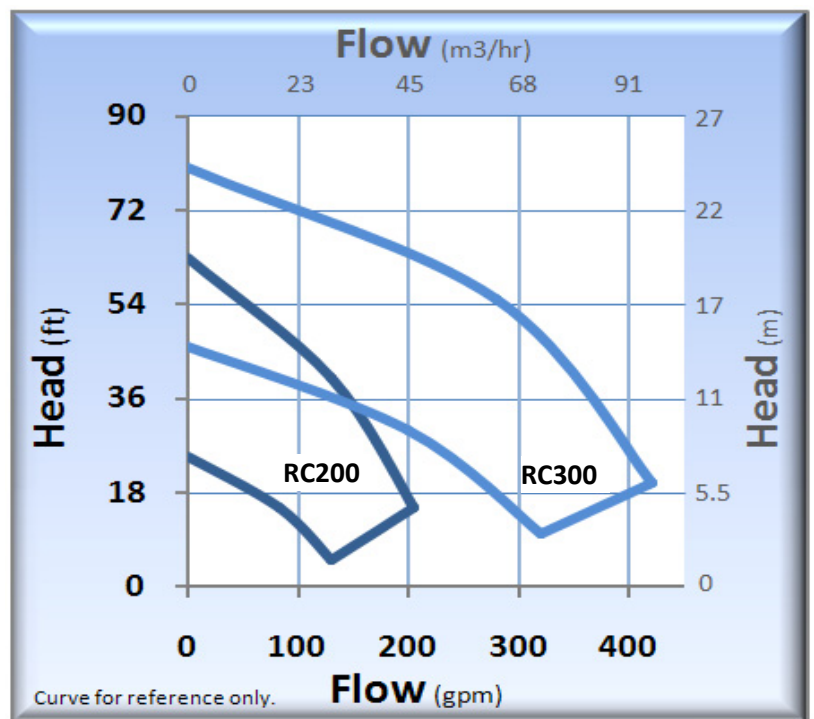
- **Air Motor:** Up to 2-1/2 HP
- **Vertical Mounting:**
- **Power Frame Mounting:**
- **Long-Coupled Mounting:**



Standard Specifications

- RC200 / RC200V Discharge 2" FNPT, Suction 2" FNPT
 - RC300 / RC300V Discharge 3" FNPT, Suction 3" FNPT
 - RC200 / RC200V Maximum Impeller Diameter: 4.06"
 - RC300 / RC300V Maximum Impeller Diameter: 4.62"
 - Stub Shaft: 5/8" 316SS Hex (7/8" optional)
 - Motor: NEMA C Face (Multiple enclosures available)
 - Mechanical Seal:
 - Single, 5/8" Type 6A Buna, Carbon vs. Ceramic (AI, BF, SF, AB)
 - Single, 5/8" Type 21 Viton, Carbon vs. Ceramic (SS)
- Note: Additional seal options available*

Performance Curve – 60 Hz



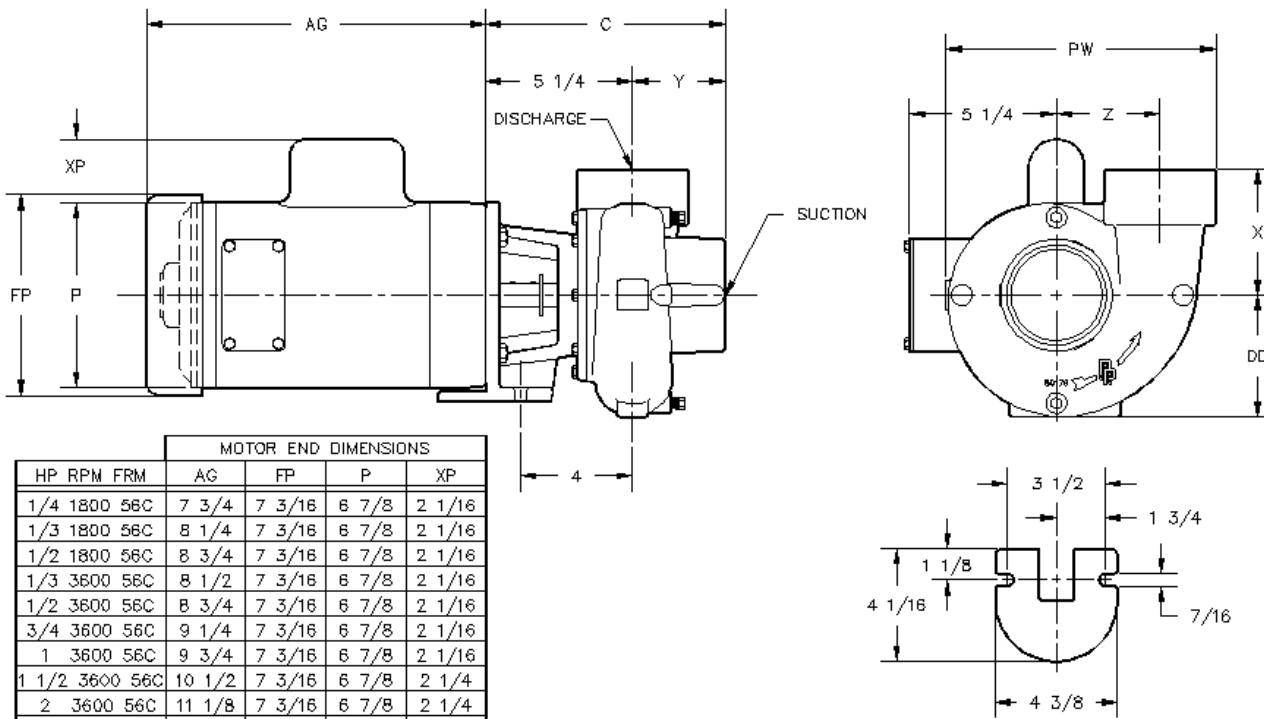
RC200/300

Technical Information	
Max Flow (RC200)	200 GPM (45.4 m3/hr)
Max Flow (RC300)	420 GPM (95.4 m3/hr)
Max Head	80 feet (24.4 m)
Min. Flow (RC200)	10 GPM (2.3 m3/hr)
Min. Flow (RC300)	50 GPM (11.4 m3/hr)
Max Solid Size	0.380" (9.6 mm)
Max Working Pressure	(Type 6A Seal) 75 PSI (5.2 bar)
	(Type 8 Seal) 325 PSI (22.4 bar)
	(Type 9 Seal) 350 PSI (24.1 bar)
	(Type 21 Seal) 150 PSI (10.3 bar)
(Type 2106 Seal) 150 PSI (10.3 bar)	
Max Temp.	300°F (149°C)*

Materials of Construction					
RC	AI	BF	SF	AB	SS
Volute	Cast Iron	Cast Iron	Cast Iron	Bronze	316SS
Impeller	Cast Iron	Bronze	316SS	Bronze	316SS
Bracket	Cast Iron	Cast Iron	Cast Iron	Bronze	316SS
O-ring	Buna	Buna	Buna	Buna	Viton
Fasteners	Steel Plated	Steel Plated	Steel Plated	18-8 SS	316 SS

* Temperature limits will vary according to the seal and gasket materials used, and liquid being pumped.

Dimensions (RC200/300)



MOTOR END DIMENSIONS						
HP	RPM	FRM	AG	FP	P	XP
1/4	1800	56C	7 3/4	7 3/16	6 7/8	2 1/16
1/3	1800	56C	8 1/4	7 3/16	6 7/8	2 1/16
1/2	1800	56C	8 3/4	7 3/16	6 7/8	2 1/16
1/3	3600	56C	8 1/2	7 3/16	6 7/8	2 1/16
1/2	3600	56C	8 3/4	7 3/16	6 7/8	2 1/16
3/4	3600	56C	9 1/4	7 3/16	6 7/8	2 1/16
1	3600	56C	9 3/4	7 3/16	6 7/8	2 1/16
1 1/2	3600	56C	10 1/2	7 3/16	6 7/8	2 1/4
2	3600	56C	11 1/8	7 3/16	6 7/8	2 1/4
3	3600	56C	12 3/8	7 3/16	6 7/8	2 1/4
5	3600	184C	13 5/8	8 1/2	7 7/8	2 1/4

NOTE:

1. MOTOR DIMENSIONS WILL VARY BY MODEL AND MAKE, DIMENSIONS ARE TO BE USED FOR REFERENCE ONLY.
2. FOR ENGINEERING PURPOSES, PUMP RC300 HAS BEEN USED TO CREATE DRAWING.
3. ALL DIMENSIONS HAVE BEEN ROUNDED TO THE NEAREST 1/8 INCH

PUMP END DIMENSIONS								
	C	Y	PW	Z	X	DD	SUCTION	DISCHARGE
RC200	8 1/8	2 7/8	7 1/8	2 1/2	3 3/4	3 1/2	2" NPT	2" NPT
RC300	8 9/16	3 5/16	9 5/8	3 11/16	4 1/2	4 3/8	3" NPT	3" NPT



21775 Eighth Street East
 Sonoma, CA 95476-0329
 MAIN (707) 938-8441
 TOLL FREE (800) 345-7867
 FAX (707) 938-0764
 E-mail: sales@pricepump.com
 Website: www.pricepump.com

Contact factory for special pump configurations,
 same day, and next day delivery options.



Rev. Date: May 2009